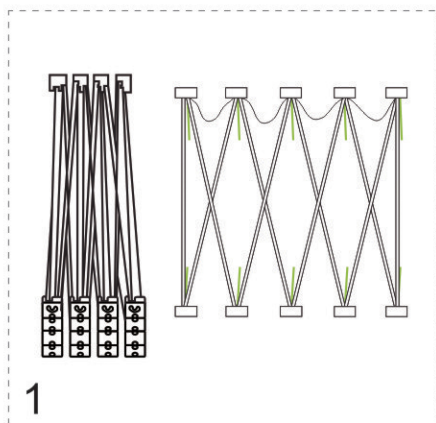


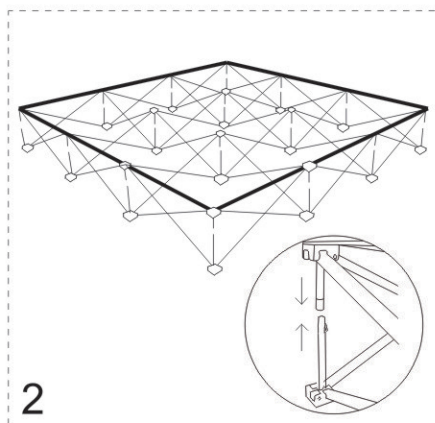
Velcro Fabric Pop Up Display

Setup Instruction of curved & straight shape



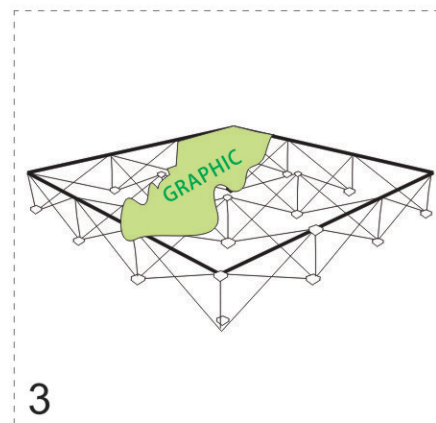
1

1. Stretch frame to size. Make sure webbing is not wrapped around black locking arms.



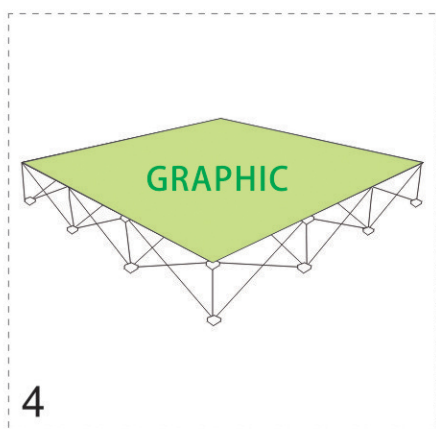
2

2. Align all black locking arms then nap all green locking arms into place.



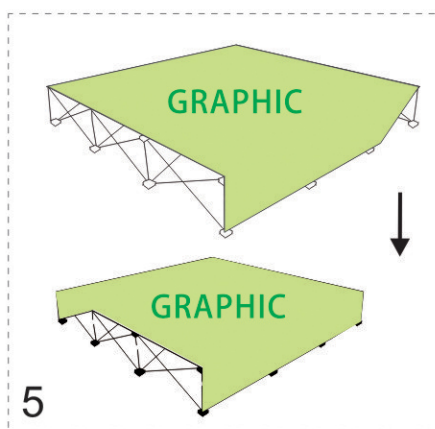
3

3. Graphic attaches to frame with velcro. Start in one corner and move on to the next.



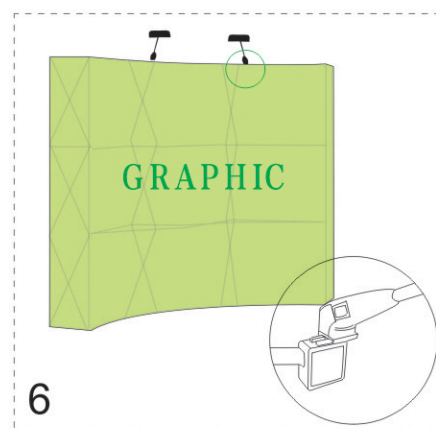
4

4. Graphic application is complete.



5

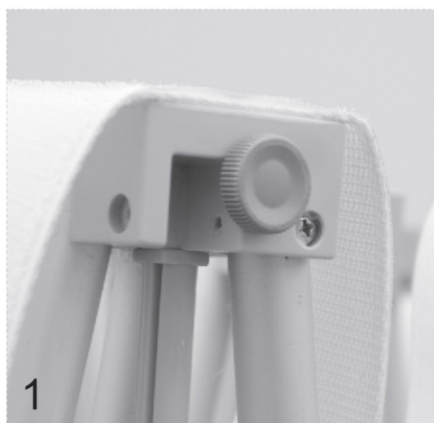
5. Pull end caps down to corner of frame and attach. Then attach other corner. Afterwards, repeat on opposite side.



6

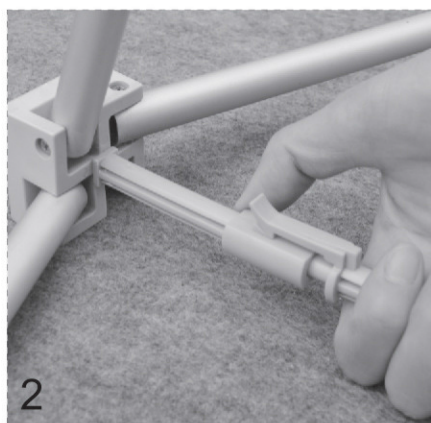
6. Attach the spot lights to the 2 mounts on top of the display stand.

TO ENSURE QUALITY, PLEASE NOTE:



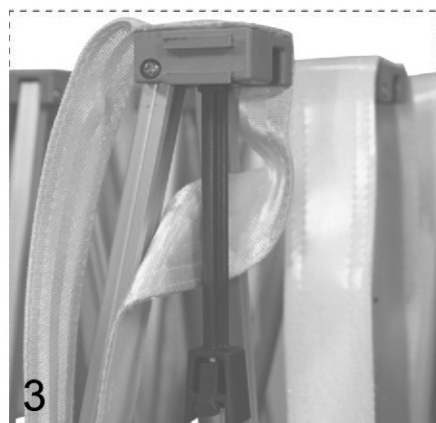
1

1. If the ground is not level, screw the rotary button to adjust the support leg to make the display upright.



2

2. When disassembling, ensure that the arms are unlocked and aligned. If not, the arms will snap when pressure is applied.



3

3. If the webbing is wrapped around the black locking arm, the arm can snap off when opening the unit.